

Thrust Ball Bearings

Bearing No. : **NACHI 53209**

■ Bearing Type

■ Clearance

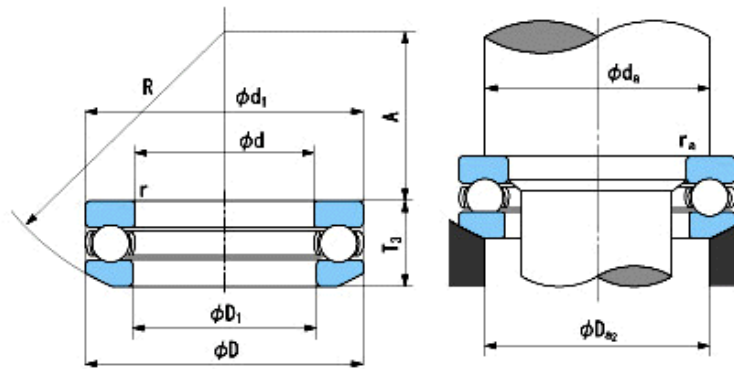
■ Tolerance Class

Dimensions

d = 45 0
 -0.012

D = 73 0
 -0.019

T3 = 21.3
r = 1~2.2
(Radial Direction and Axial Direction)
D1(min) = 47
d1(max) = 73
R = 56
A = 26



Dimensions
da(min) = 62
Da2(max) = 56
ra(max) = 1
Mass = 0.32 kg

Basic Dynamic Load Rating Ca :	47,500 N	INNER RING	OUTER RING
Basic Static Load Rating Coa :	105,000 N	O.D.Surface Runout with Side :	-
Limiting Speed ;		Axial Runout with Bore :	-
Grease Lubrication :	2,600 min ⁻¹	Axial Runout with Raceway :	-
Oil Lubrication :	3,900 min ⁻¹	Width Variation :	-
		Radial Runout :	-